

**REFERENCE :** KI0931

**SIZES :** U

**COMPOSITION :**

Main fabric : Polyester 2 tone 600D PVC backing - 460 100% polyester

Fabric 2 : PU quality On front panel + handles. 100% polyurethane

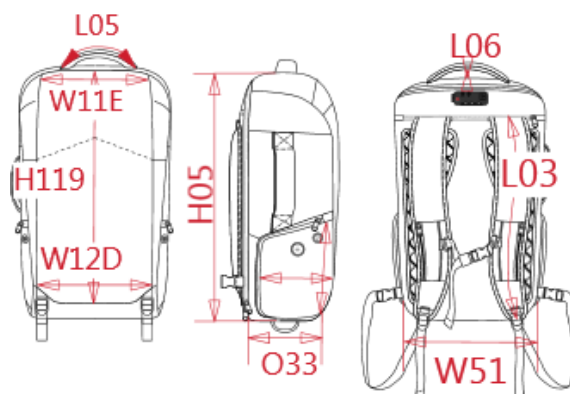
Lining : Polyester 210D PU backing - 75 For inside lining. 100% polyester

**TECHNICAL DETAIL :**

PVC backing

**ARTICLE WEIGHT :**

1600g/pc



DESCRIPTION
<b>Français :</b> Sac à dos anti-vol en polyester.
<b>English :</b> Anti-theft polyester backpack.
<b>Nederlands :</b> Antidiefstalrugzak van polyester.
<b>Deutsch :</b> Diebstahlschutz-Rucksack aus Polyester.
<b>Español :</b> Mochila antirrobo de poliéster.
<b>Italiano :</b> Zaino antitaccheggio in poliester.
<b>Português :</b> Mochila anti-roubo em poliéster.

COLORS	PANTONE SERIGRAPHIE
Graphite Grey Heather / Black	Based on 424C / Black

MEASUREMENT						
Description	U					
<b>H05 (M)</b> Hauteur totale / Total height	55					
<b>W51</b> Total width	34					
<b>O33</b> Deep of bottom part	17					
<b>L06</b> Height of stretched top handle	2					
<b>L05</b> Total lenght of the tape for handle	26					
<b>L03</b> Longueur totale bretelle épaule / Shoulder strap total length	49					
<b>H119</b> Hauteur devant / Front height	49					
<b>W11E</b> Largeur haut / Top width	23					
<b>W12D</b> Largeur bas découpe / Bottom yoke width	25					

PACKING	
Box	4 pcs / box U => L:74cm W:44cm H:62cm GW:7.2kg NW:6.2kg