

REFERENCE : KI0412

SIZES : U

COMPOSITION :

Main fabric : Polyester oxford 600D PVC backing 100% polyester

Main fabric : Polyester oxford 600D PVC backing As contrast color 100%polyester

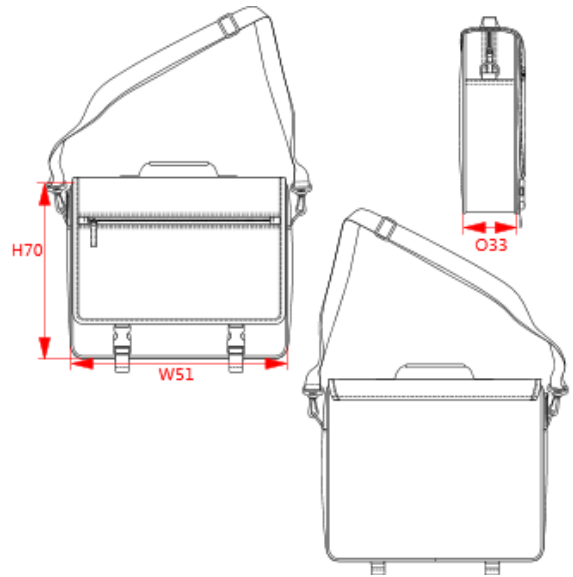
Lining : Polyester 210D PU backing - 75 As lining for back part of the flap. 100%polyester

TECHNICAL DETAIL :

PVC backing

ARTICLE WEIGHT :

460 gr/pc



DESCRIPTION	
Français :	Porte document avec rabat
English :	Flap over document bag
Nederlands :	Flap over document bag
Deutsch :	Dokumententasche mit frontklappe
Español :	Bolsa porta documentos con solapa
Italiano :	Porta documenti con patella
Português :	Pasta

COLORS	PANTONE SERIGRAPHIE
Black	Black
Black / Light grey	Black / 2331C
Black / Navy	Black / 433C
Black / Red	Black / 1795C
Black / Burnt lime	Black / 583C

MEASUREMENT							
Description	U						
W51 Total width	41						
H70 Height of front panel	34						
O33 Deep of bottom part	10						

PACKING	
Box	25 pcs / box U => L:50cm W:40,5cm H:45cm GW:12,5kg NW:11,5kg