

**REFERENCE :** KI0352

**SIZES :** U

**COMPOSITION :**

Main fabric : Jute PU backing - 330 For bag 100%jute

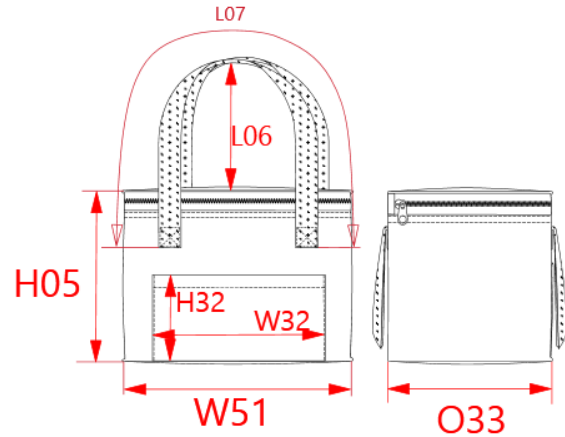
Main fabric : Cotton canvas - 130 For front pouch 100%cotton

Lining 1 : EPA foam High density insulating internal foam 100% EPA

Lining 2 : PEVA Aluminium lining on inside, special for cooler bags. 100%polyethylene vinyl acetate

**ARTICLE WEIGHT :**

150 gr/pc



DESCRIPTION
<b>Français :</b> Sac isotherme en jute - petit modèle
<b>English :</b> Jute cool bag-small size
<b>Nederlands :</b> Koeltas van jute - klein model
<b>Deutsch :</b> Kleine Kühltasche aus Jute
<b>Español :</b> Bolsa isotérmica de yute - modelo pequeño
<b>Italiano :</b> Borsa isoteramica in iuta - modello piccolo
<b>Português :</b> Saco isotérmico em juta - modelo pequeno

COLORS	PANTONE SERIGRAPHIE
Natural	7534C

MEASUREMENT	
Description	U
<b>H05</b> Hauteur totale / Total height	15
<b>W51</b> Total width	20
<b>L07</b> Light of shoulder handles	50
<b>H32</b> Hauteur poche devant / Front pocket height	9
<b>W32</b> Largeur poche devant / Front pocket width	16
<b>L06</b> Light of top handle	16
<b>O33</b> Deep of bottom part	15

PACKING	
Box	50 pcs / box U => L:40cm W:35cm H:70cm GW:9.68kg NW:8.00kg