

**REFERENCE :** KI0288

**SIZES :** U

**COMPOSITION :**

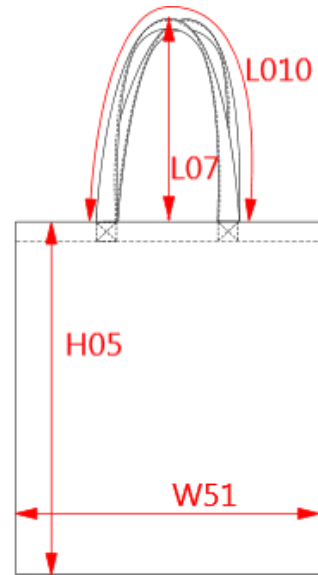
Fabric 1 : Organic cotton woven - 130 OCS100 certified 100% cotton

**TECHNICAL DETAIL :**

OCS certified

**ARTICLE WEIGHT :**

70 gr/pc



DESCRIPTION	
<b>Français :</b>	Sac shopping en coton biologique
<b>English :</b>	Organic cotton shopping bag
<b>Nederlands :</b>	Shopper van biologisch katoen
<b>Deutsch :</b>	Shoppingtasche aus Bio-Baumwollcanvas
<b>Español :</b>	Bolsa de compras algodón orgánico
<b>Italiano :</b>	Shopper in cotone biologico
<b>Português :</b>	Saco de compras em algodão biológico

COLORS	PANTONE SERIGRAPHIE
Black	Black
Natural	7534C

MEASUREMENT	
Description	U
<b>H05</b> Hauteur totale / Total height	42
<b>W51</b> Total width	38
<b>L07</b> Height of shoulder handles	32
<b>L010</b> Longueur bande épaule / Total length of handle	68

PACKING	
Box	200 pcs / box U =>L:45cm W:38cm H:35cm GW:13,8kg NW:12,6kg