

REFERENCE : KI0110

SIZES : U

COMPOSITION :

Main fabric : Polyester ripstop 190T Acrilic backing 100% polyester

Fabric : Honeycomb Polyester PU backing As contrast fabric. 100%polyester

Lining : Polyester 210D PU backing - 75 As internal lining. 100%polyester

Mesh : Polyester mesh 150 As contrast fabric on lateral pockets. 100% polyester

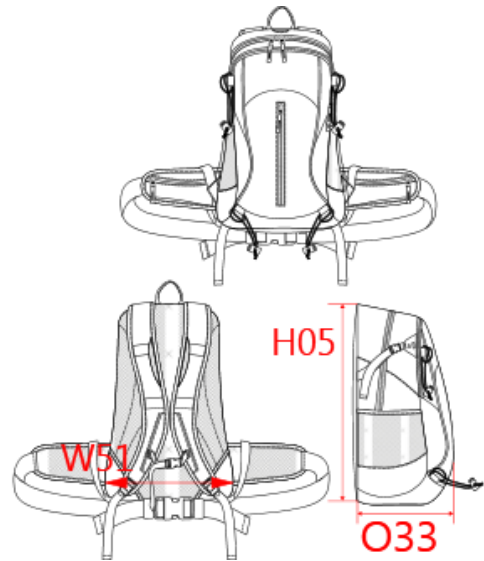
Mesh 1 : Polyester puffy mesh As contrast fabric, on back panel + back side of shoulder straps + back side of waist band. 100% Polyester

TECHNICAL DETAIL :

Acrilic backing

ARTICLE WEIGHT :

410 gr/pc



DESCRIPTION	
Français :	Sac à dos multisports
English :	Multi use backpack
Nederlands :	Multi use backpack
Deutsch :	Allround-Rucksack
Español :	Mochila tiempo libre
Italiano :	Zaino multiuso
Português :	Mochila

COLORS	PANTONE SERIGRAPHIE
Black / Slate grey	Black / 424C
Black / Royal blue	Black / 287C

MEASUREMENT	
Description	U
H05 Hauteur totale / Total height	45
W51 Total width	29
O33 Deep of bottom part	25

PACKING	
Box	20 pcs / box U => L:50cm W:38cm H:52cm GW:9,25Kg NW:8,25Kg